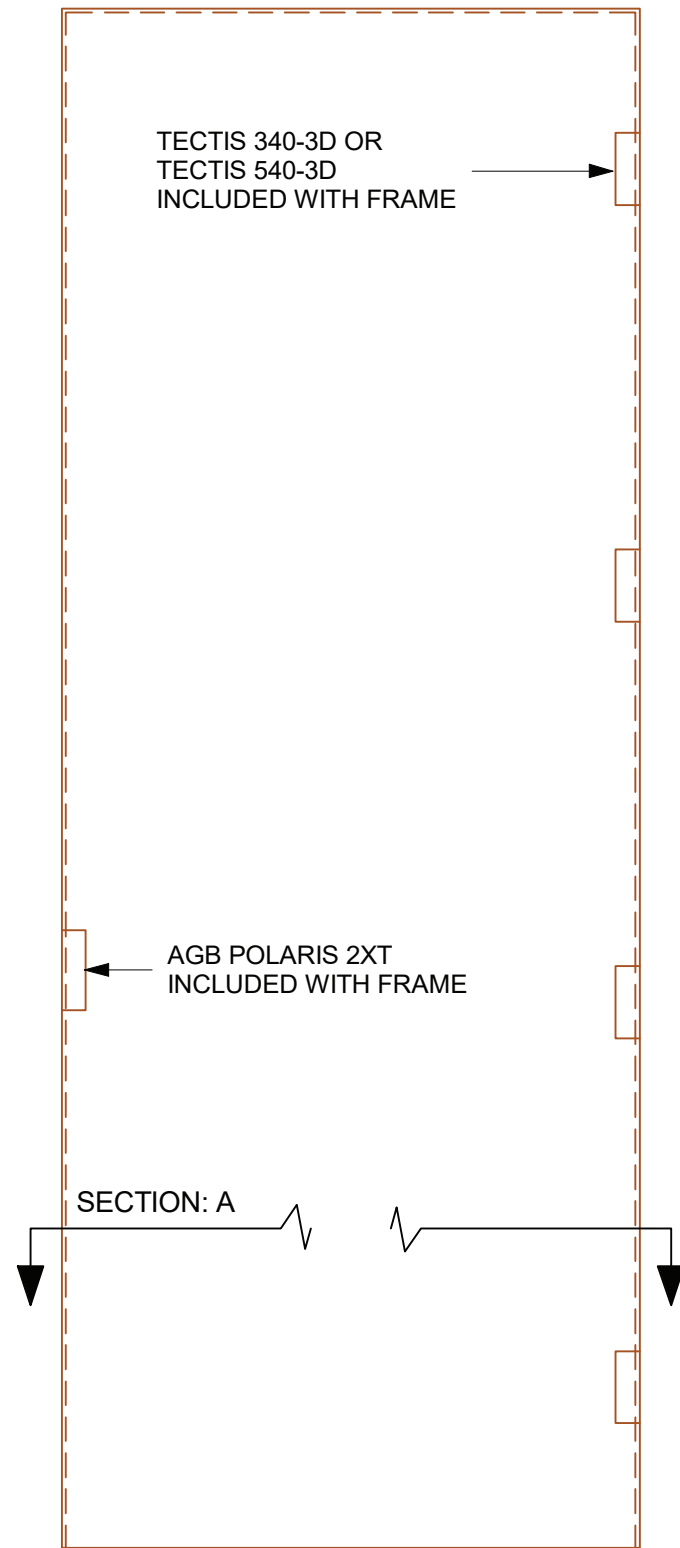
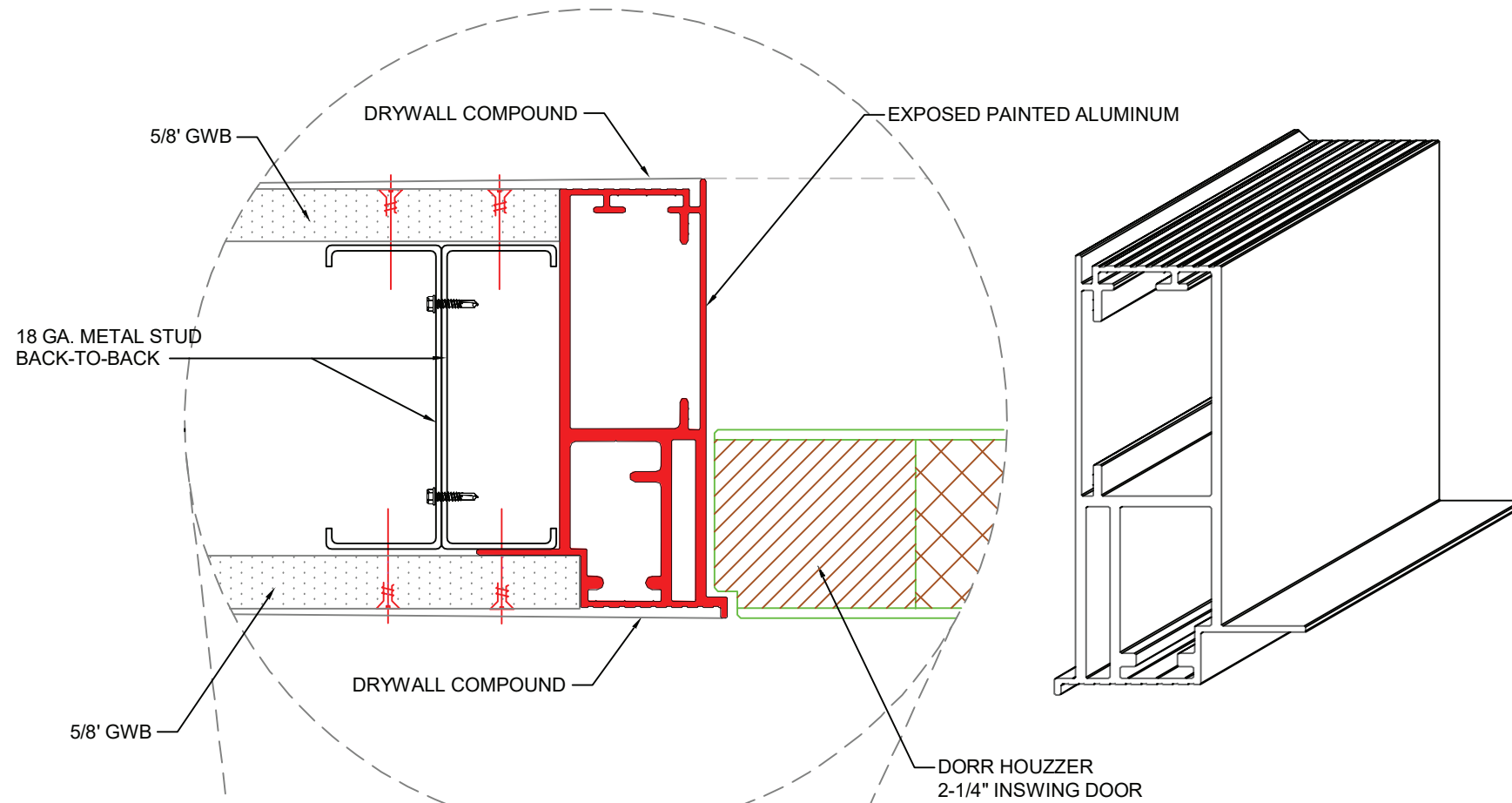


CUSTOMIZABLE
PHANTOM WIDTH & HEIGHT



DOOR ELEVATION

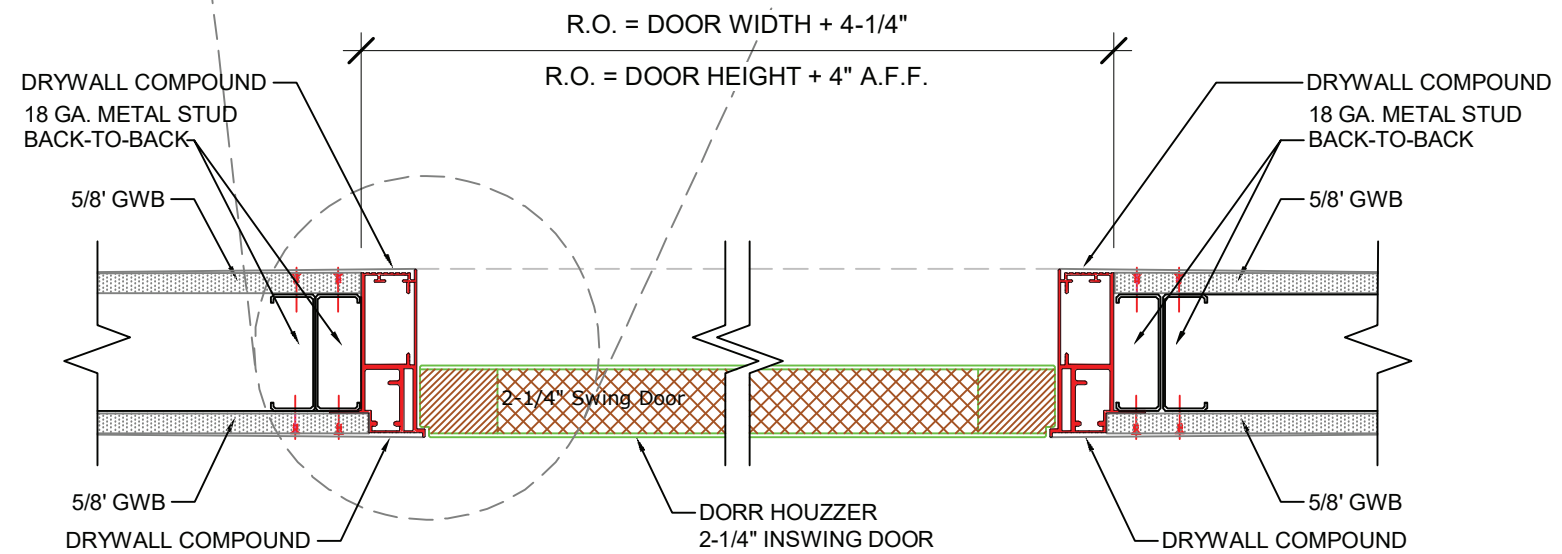
SCALE: 1" = 1'-0"



SECTION A: PHANTOM - INSWING

SCALE: 6" = 1'-0"

U.S. PATENT # 10,724,289 & 10,087,674



SECTION A: PHANTOM - INSWING

SCALE: 2" = 1'-0"

DORR HOÜZZER™

info@dorrhouzzer.com
www.DorrHouzzer.com

382 Hillsboro Technology Drive
Deerfield Beach, Florida, 33441 USA TEL: 844.MY.DORRS

Phantom - Inswing

Copyright 2020 / Dorr Houzzer USA, LLC / All Rights Reserved

DRAWING RELEASE RECORD		DATE/STATUS
REV.	DATE	REASON
0	1/08/2021	FOR PRODUCTION

DRAWN BY:
Alain O.
20-082

SCALE: 12" = 1'-0"

DWG#

SK-01

TO BE PLOTTED ON A 11" x 17" PAPER